



**.050" [1.27mm] Contact Centers, .610" Insulator Height
[PCI] Dip Solder/Card Extender/SMT**

Industry Standard Part

SPECIFICATIONS

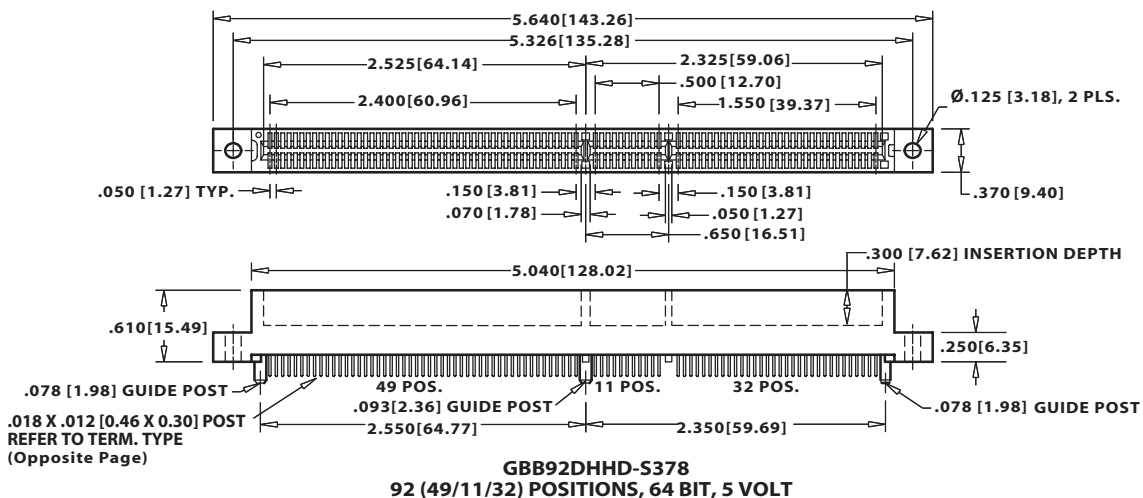
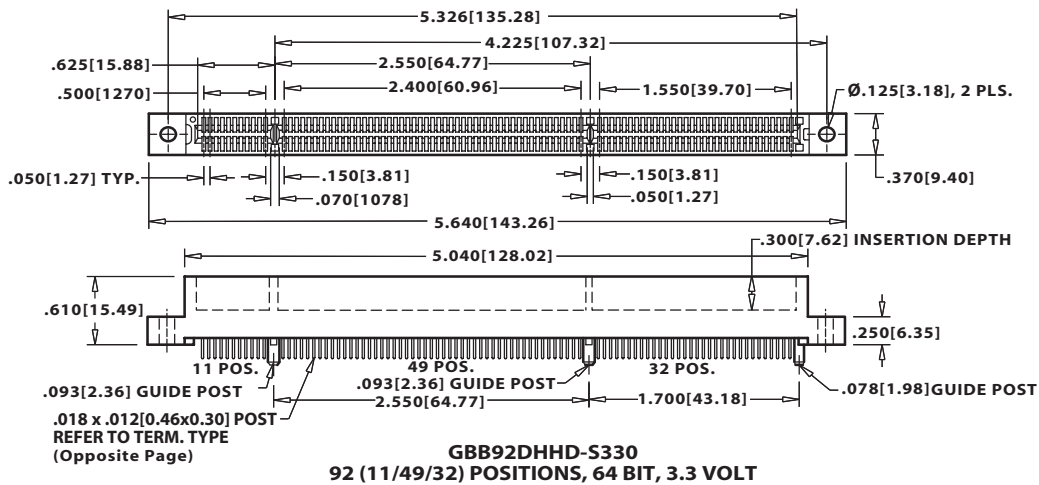
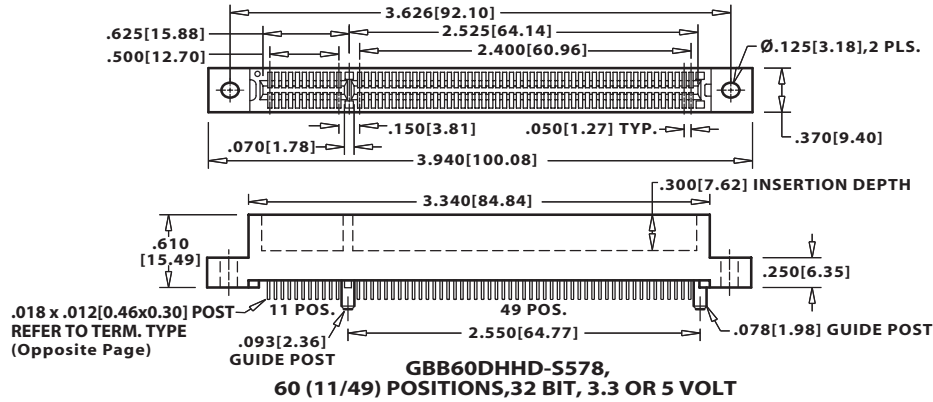
- Accommodates .062" ± .008" [1.57 ± .20] PC board
- PPS or PA9T insulator
- Molded-in key available
- High reliability/high cycle hairpin bellows contact
- 1 amp current rating per contact
- 150 grams normal force minimum

READOUT



DUAL (D)

DIMENSIONS Dimensions in [] are in millimeters, all others are in inches.





**.050" [1.27mm] Contact Centers, .610" Insulator Height
[PCI] Dip Solder/Card Extender/SMT**

Industry Standard Part

Sullins Edgecards

PART NUMBER CODING

G B B 60 D HH D - S578

MATERIALS (Insulator/Contact)
 G = PA9T/Phosphor Bronze
 R = PPS/Phosphor Bronze
 J = PA9T/Beryllium Copper
 A = PPS/Beryllium Copper
 (Consult Factory for Other Materials)

CONTACT FINISH - RoHS Compliant
All platings are Lead Free and have .000050" Nickel underplate

Contact Surface		Termination	
B =	.000010" Gold	.000100" Pure Tin, Matte	
C =	.000030" Gold	.000100" Pure Tin, Matte	

CONTACT CENTERS
 B = .050" [1.27mm]

NUMBER OF CONTACT POSITIONS
 60 = 11/49 (32 Bit, 3.3 or 5 Volt)
 92 = 11/49/32 (64 Bit, 3.3 Volt)
 or 92 = 49/11/32 (64 Bit, 5 Volt)

READOUT
 D = Dual

MODIFICATION (CONSULT FACTORY)

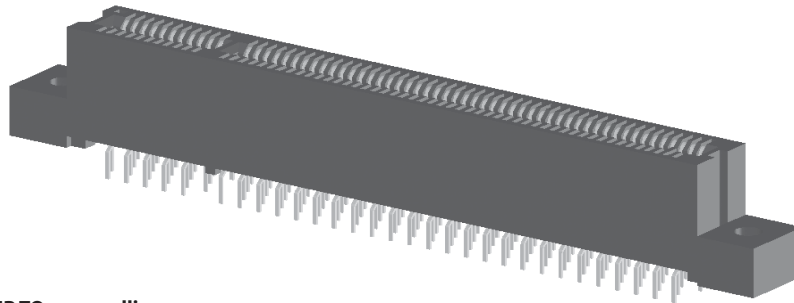
PCI WITH GUIDE POSTS
 *-S578 = 60 (11/49) Positions(32 Bit, 3.3 or 5 Volt)
 -S330 = 92 (11/49/32) Positions(64 Bit, 3.3 Volt)
 -S378 = 92 (49/11/32) Positions(64 Bit, 5 Volt)

PCI WITHOUT GUIDE POSTS
 *-S621 = 60 (11/49) Positions(32 Bit, 3.3 or 5 Volt)
 -S329 = 92 (11/49/32) Positions(64 Bit, 3.3 Volt)
 -S250 = 92 (49/11/32) Positions(64 Bit, 5 Volt)

*** Turn connector or board 180° to switch from 3.3 to 5 volt**

MOUNTING STYLE
 D = Flush Mounting
 N = No Mounting
 T = Flush Mounting With Threaded Insert
 Q = Straddle Mount (Card Extender Only)
 R = Metal Boardlocks

TERMINATION TYPE
 HH = Staggered Dip Solder
 HR = Card Extender
 HF = Surface Mount
 HL = .250" [6.35mm] x .160" [4.06mm] Dip Solder
 HN = .100" [2.54mm] x .125" [3.18mm] Dip Solder
 (REPLACES TERMINATIONS: CH, CR, CF, CL, CN)



FOR PC BOARD LAYOUTS REFER TO www.sullinscorp.com

